

318-550-190 Snow Boss 510 (1988)
Belt Drive Assembly

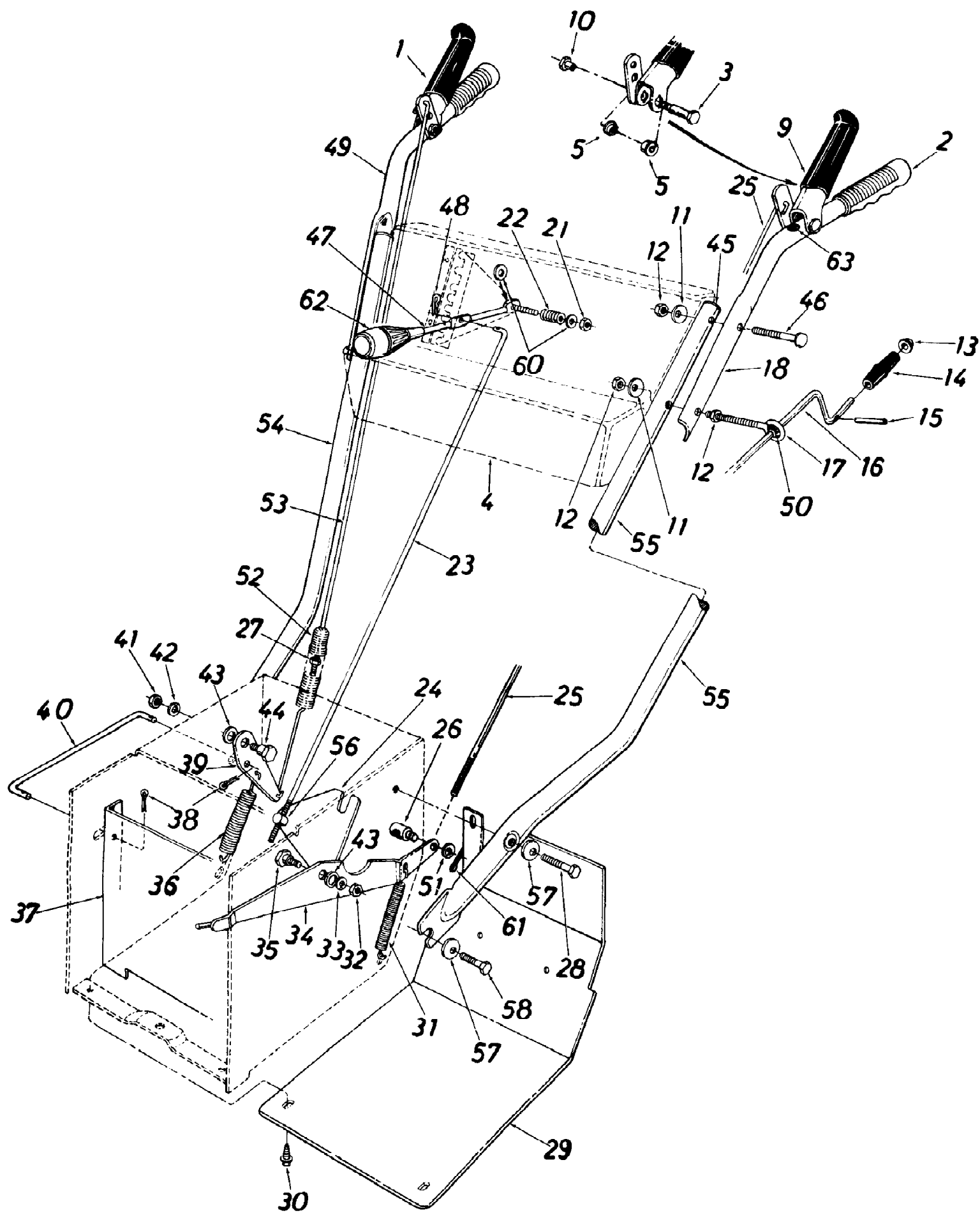
Page 2 of 12

Ref #	Part Number	Qty	S/P/F	Description
1		1		Engine
2	714-0133	1	S	Sq. Key 3/16" x 1.50" Lg. (440, 550 & 552)
3	05872	1		Engine Plate Ass'y.
4	732-0429	1	S	Extension Spring .50" O.D. x 3.97" Lg.
5	05896	1		Drive Clutch Idler Brkt.
6	710-0191	1	/P	Hex Bolt 3/8-24 x 1.25" Lg.*
7	754-0256	1	S	V"-Belt
8	710-0459	1	S	Hex Bolt 3/8-24 x 1.50" Lg.
9	736-0105	1	/P	Bell-Wash. .40" I.D. x .88" O.D. x .06
10	711-0396	1	/P	Spacer .38" I.D. x .62" O.D. x .75" Lg.
11	741-0155	1	S	Ball Brg. .62" I.D. x 1.38" O.D. x .44
12	714-0507	1	S	Cotter Pin 3/32" Dia. x .75" Lg.*
13	736-0272	1	S	FI-Wash. .53" I.D. x 1.00" O.D. x .125
14	784-5197	1		Frame Ass'y.
15	710-0502	1	S	Hex Wash. Hd. Self-Tap Scr. 3/8-16 x 1.25" Lg.
16	738-0497	1		Shaft .50" Dia. x 9.50" Lg.
17	710-0599	1	/P	Hex Wash. Hd. Self-Tap Scr. 1/4-20 x .50" Lg.
18	05897	1		Axle Bracket
19	712-0107	1	S	Hex L-Nut 1/4-20 Thd.
20	05878	1		Drive Pulley Support Brkt. Ass'y.
21	736-0219	1	S	Bell-Wash. .40" I.D. x 1.13" O.D.
22	732-0550	1		Extension Spring .56" O.D. x 4" Lg.
23	736-0169	1	S	L-Wash. 3/8" I.D.*
24	710-0723	1	/P	Hex Scr. 3/8-16 x 1.25" Lg.
25	05921	1		6.00" O.D. Drive Pulley Ass'y. (Incl. Ref. #11)
26	712-0923	1	/P	Hex Jam Cent. L-Nut 5/8-18 Thd.
27	736-0116	1	S	FI-Wash. .64" I.D. x .94" O.D. x .06
28	756-0344	1	/P	1/2" V-Pulley .625" I.D. x 7.50" O.D. (440,550 & 5521)
29	738-0281	1	S	Shld. Bolt .625" Dia. x .170" Lg. (318-16)
30	784-5061	1		Brake Bracket Ass'y. (440. 550 & 552)
	784-5048	1		Brake Brkt. Ass'y.
31	712-0342	1	/P	Hex Ins. L-Nut 3/8-16 Thd.
32	05895	1		Auger Clutch Idler Brkt.
33	784-5245	1		Brake Linkage Ass'y.
34	738-0347	1	S	Shld. Spacer .625" I.D.
35	756-0137	1		FI-Idler Pulley 2.25" O.D.
36	754-0257	1	S	"V"-Belt (440, 550 & 552)
37	710-0427	1	S	Hex Bolt 3/8-16 x 2" Lg.*
38	712-0116	1	S	Hex Ins. Jam L-Nut 3/8-24 Thd.
39	710-0459	1	S	Hex Bolt 3/8-24 x 1.50" Lg.
40	736-0169	1	S	L-Wash. 3/8" I.D.*
41	736-0247	1	/P	Bell-Wash. .40" I.D. x 1.25" O.D. (440,550 & 552)
42	756-0421	1	/P	Double Groove Engine Pulley (440, 550 & 552)
43	738-0215	1	S	Shld. Scr. .498" x 3.0" Lg. (440, 550 & 552)
	710-0117	1	S	Hex Bolt 5/16-24 x 1.00"-Lg.*
45	736-0119	1	S	L-Wash. 5/16" I.D.*
46	748-0234	1	S	FI-Wash. .320" I.D.

318-550-190 Snow Boss 510 (1988)
Belt Drive Assembly

Page 3 of 12

Ref #	Part Number	Qty	S/P/F	Description
47	736-0105	1	/P	Bell-Wash. .40" I.D. x .88" x .06
48	710-0237	1	/P	Hex Bolt 5/16-24 x .62" Lg.
49	736-0119	1	S	L-Wash. 5/16" I.D.*
50	710-0599	1	/P	Hex Wash. Hd. Self-Tap Scr. 1/4-20 x .50" Lg.
51	736-0173	1	/P	FI-Wash. .28" I.D. x .75" O.D. x .06
52	731-0642	1	/P	Belt Cover
53	750-0456	1	S	Spacer (440,550 & 552)
54	756-0225	1	/P	FI-Idler Pulley 2.75" O.D.
56	710-0623	1	/P	Hex Wash. Hd. Self-Tap Scr. 3/8-16 x .75" Lg.
	725-0954	1	S	Ignition Key (Not Shown)
58	711-0769	1	/P	Stud 3/8-16 x 3.37" Lg.
59	736-0217	1	S	L-Wash. 3/8" I.D.-H.D.



318-550-190 Snow Boss 510 (1988)
Handle Assembly

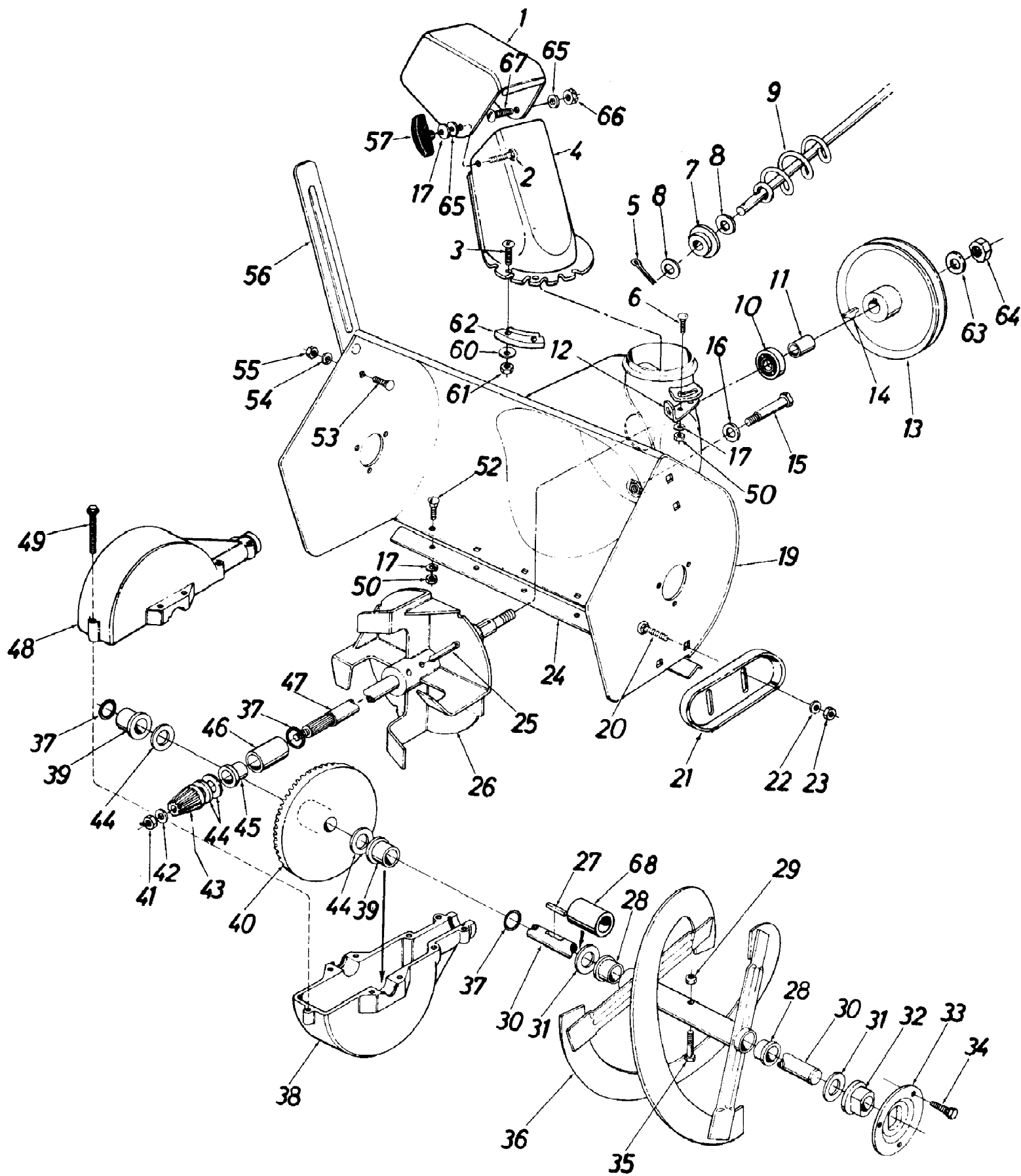
Page 5 of 12

Ref #	Part Number	Qty	S/P/F	Description
1	05988	1		Clutch Grip Ass'y.-R.H.
2	720-0220	1		Grip
3	738-0560	1	S	Shoulder Bolt .374 Dia. x 1.53" Lg.
4	784-5451	1		Handle Panel Ass'y.
5	741-0402	1	S	Hex Flange Plastic Bearing .380" I.D.
9	05987	1		Clutch Grip Ass'y.-L.H.
10	738-0561	1	S	Shoulder Nut 1/4-20 Thd.
11	736-0242	1	/P	Bell-Wash .34" I.D. x .88" O.D.
12	712-0267	1	S	Hex Nut 5/16-18 Thd.
13	726-0100	1	S	Push Nut 3/8" Rod
14	720-0201	1	S	Knob 3/8" Rod
15	715-0138	1	S	Roll Pin .12 Dia. x .63" Lg.
16	05980	1		Chute Crank Ass'y. 39" Lg.
17	747-0416	1	S	Eye Bolt 5/16-18 x 5.0" Lg.
18	749-0593	1		Upper Handle-L.H. (Chrome)
21	712-0429	1	S	Hex Ins. Jam L-Nut 5/16-18 Thd.
22	732-0193	1	/P	Compression Spring .50" O.D. x .88" Lg.
23	747-0356	1		Shifting Rod 5/16" x 32.50" Lg.
24	05898	1		Shifting Linkage Bracket
25	747-0452	1		Lockout Rod .214" Dia. x 36.0" Lg.
26	711-0736	1	/P	Adjustment Ferrule 1/4-20
27	712-0324	1	/P	Hex Ins. L-Nut 1/4-20 Thd.
28	710-0427	1	S	Hex Bolt 3/8-16 x 2.00" Lg.
29	05899	1		Frame Cover
30	710-0599	1	/P	Hex Wash. Self-Tap Scr. 1/4-20 x .50" Lg.
31	732-0320	1	S	Extension Spring .38" O.D. x 3.25" Lg.
32	712-0342	1	/P	Hex Jam Nut 3/8-16 Thd.
33	736-0169	1	S	L-Wash. 3/8" I.D.*
34	784-5050	1		Auger Clutch Bracket Ass'y.
35	738-0281	1	S	Shld. Bolt .625" Dia. x .170
36	732-0121	1	S	Extension Spring .75" O.D. x 4.31" Lg.
37	05878	1		Drive Pulley Support Brkt. Ass'y.
38	714-0507	1	S	Cotter Pin 3/32" Dia. x .75" Lg.*
39	05501	1		Drive Clutch Bracket
40	10080	1		Drive Clutch Rod
41	712-0342	1	/P	Hex Jam Nut 3/8-16 Thd.*
42	736-0169	1	S	L-Wash. 3/8" I.D.
43	736-0219	1	S	Bell-Wash. .40" I.D. x 1.13 O.D.
44	738-0281	1	S	Shld. Bolt.625" Dia. x .170
45	731-0496	1		Plastic Plug
46	710-0487	1	/P	Carriage Bolt 5/16-18 x 2.0"-Lg.
47	747-0696	1		Shift Handle
48	714-0104	1	S	Int. Cotter Pin 5/16" Dia.
49	749-0594	1		Upper Handle-R.H. (Chrome)
50	741-0475	1	S	Plastic Bushing
51	736-0264	1	S	FI-Wash. .28" I.D. x .62" O.D.
52	732-0184	1	/P	Extension Spring .75" O.D. x 5.00" Lg.
53	747-0154	1		Lockout Rod .214" Dia. x 32" Lg.
54	749-0344	1		Lower Handle-R.H. (Chrome)
55	749-0343	1		Lower Handle-L.H. (Chrome)
56	711-0677	1	S	Adjustment Ferrule
57	736-0105	1	/P	Bell-Wash. .40" I.D. x .88" O.D.
58	710-0623	1		Self-Tap Scr. 3/8-16 x 75n Lg.

318-550-190 Snow Boss 510 (1988)
Handle Assembly

Page 6 of 12

Ref #	Part Number	Qty	S/P/F	Description
60	736-0264	1	S	Fl-Wash. .344" I.D. x .62" O.D.
61	714-0507	1	S	Cotter Pin 3/32" Dia.
62	720-0218	1	/P	Knob
63	726-0247	1	S	Push Cap

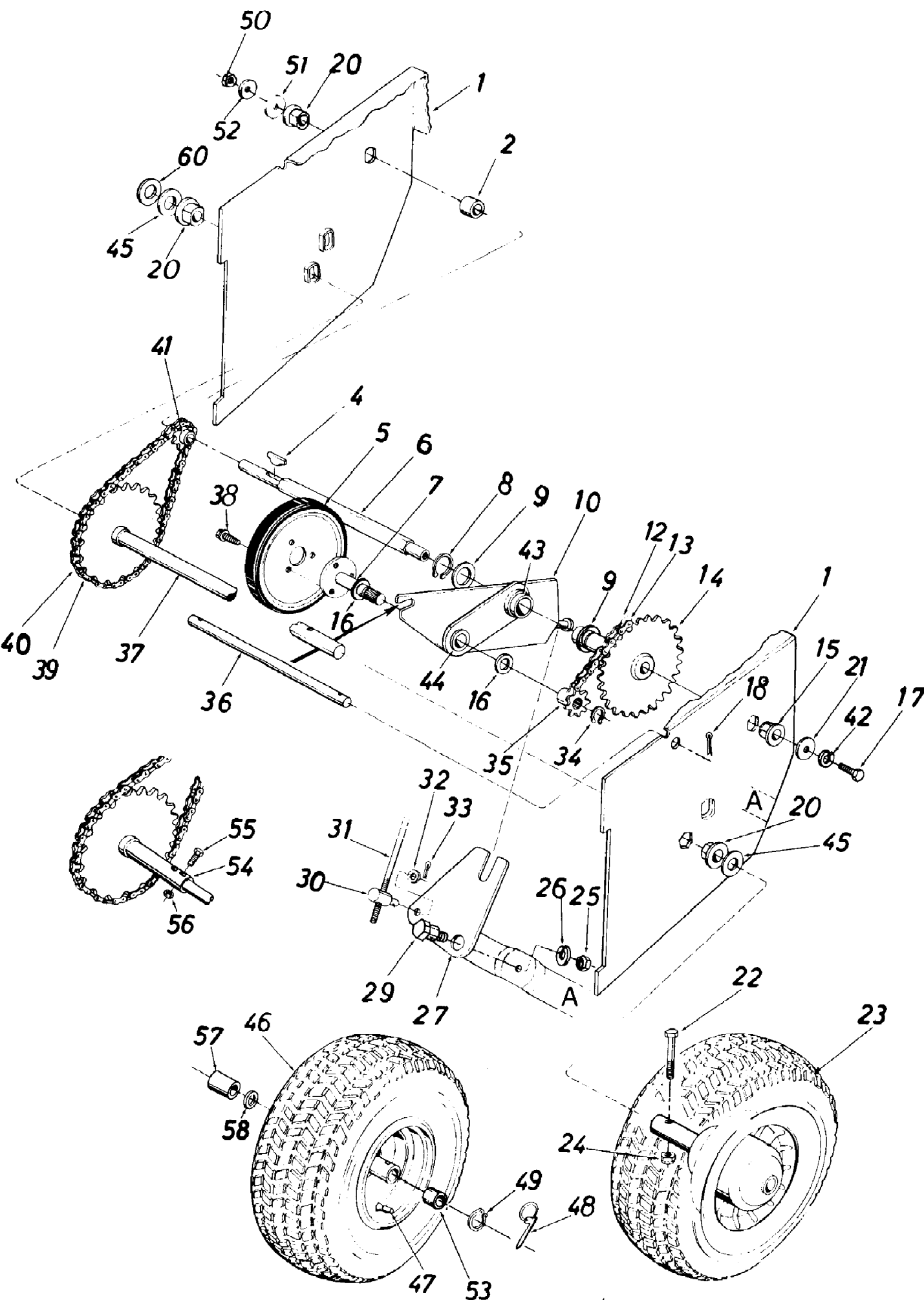


Ref #	Part Number	Qty	S/P/F	Description
1	731-0846	1	S	Upper Chute
2	710-0276	1	/P	Carriage Bolt 5/16-18 x 1.0"
3	710-0255	1	S	Truss Mach. Scr. 1/4-20 x .75"
4	731-0840	1	S	Lower Chute
5	714-0507	1	S	Cotter Pin
6	710-0451	1	/P	Carriage Bolt 5/16-18 x .75"
7	741-0475	1	S	Bushing
8	736-0140	1	S	FI-Wash. .385 I.D. x .62" O.D.
9	05980	1		Chute Crank Ass'y.
10	741-0155	1	S	Ball Brg. .62" I.D. x 1.38" OD.
11	750-0118	1	S	Spacer .63" I.D. x .88" O.D. x.900" Lg.
12	784-5123	1	S	Chute Crank Brkt.
13	756-0344	1	/P	1/2" "V"-Pulley .625" I.D. x 7.50" O.D. (440, 550, 552)
	756-0418	1		5/8" "V"-Pulley .625" I.D. x 7.50" O.D.
14	714-0388	1	S	#61 Hi-Pro Key 3/16" x 5/8" Dia.
15	738-0154	1		Shld. Bolt .50" Dia. x 2.11"
16	736-0105	1	/P	Bell-Wash. .40" I.D. x .88" O.D. x .06
17	736-0242	1	/P	Bell-Wash. .34" I.D. x .88" O.D.
19	784-5124	1		20" Blower Housing Ass'y. (440)
	784-5125	1		24" Blower Housing Ass'y. (550 & 552)
20	710-0790	1	S	Carriage Bolt 3/8-16 x .62"
21	784-5038	1	S	Slide Shoe
22	736-0105	1	/P	Bell-Wash. 3/8" I.D.
23	712-0342	1	/P	Hex Jam Nut 3/8-16 Thd.
24	784-5057	1		20" Shave Plate (440)
	05847	1	S	24" Shave Plate (550 & 552)
25	715-0114	1	S	Spring Pin Spiral 1/4" Dia. x 1.50" Lg.
26	05865	1	S	11" Dia. Blower Fan Ass'y.
27	714-0133	1	S	Sq. Key 3/16" x 1.5" Lg.
28	741-0493	1	S	Flange Brg. .75" I.D. x .88" O.D.
29	712-0429	1	S	Hex Ins. L-Nut 5/16-18
30	738-0565	1		Spiral Axle (440)
	738-0488	1	S	Spiral Axle 1550 & 552)
31	736-0188	1	/P	FI-Wash. .75" I.D. x 1.50" O.D. x .06
32	741-0300	1	S	Flange Brg. w/Flats .755" I.D.
33	05845	1	S	Bearing Housing
34	710-0726	1	/P	Hex Wash. Hd. Self-Tap Scr.- 0 5/16-24 x .62" Lg.
35	710-0890	1	S	Hex Bolt 5/16-18 x 1.50" Lg.
36	784-5053	1		20" Spiral Ass'y.-L.H. (440)
	784-5054	1		20" Spiral Ass'y.-R.H. (440)
	05923	1		24" & 26" Spiral Ass'y.-L.H. (550 & 552)
	05924	1		24" & 26" Spiral Ass'y.-R.H. (550 & 552)
37	721-0176	1	S	"O"-Ring-3/4" I.D.
38	717-0456	1		Bevel Gear Housing-Lower Half
39	741-0293	1	S	Plastic Flange Brg. .755" I.D.
40	717-0457	1		Bevel Gear
41	712-0237	1	S	Hex Cent. L-Nut 5/16-24 Thd.
42	736-0264	1	S	FI-Wash. .34" I.D. x .62" O.D. x .06
43	748-0237	1	S	Pinion Gear
44	736-0287	1		FI-Wash. .34" I.D. x 1.25" O.D. x .06

318-550-190 Snow Boss 510 (1988)
Tine Assembly

Page 9 of 12

Ref #	Part Number	Qty	S/P/F	Description
45	748-0171	1	/P	Flange Brg. .755" I.D.
46	748-0106	1	/P	Sleeve Brg. .755" I.D.
47	738-0649	1	/P	Blower Axle
48	717-0455	1		Bevel Gear Housing-Upper Half
49	710-0588	1	S	Hex Wash. Hd. Self-Tap Scr. 1/4-20 x 1.00" Lg.
50	712-0267	1	S	Hex Nut 5/16-18 Thd.*
52	710-0260	1	S	Carriage Bolt 5/16-18 x .62"-Lg.*
53	710-0260	1	S	Carriage Bolt 5/16-18 x .62" Lg. *
54	736-0119	1	S	L-Wash. 5116" I.D.*
55	712-0267	1	S	Hex Nut 5/16-18 Thd.*
56	05139	1	S	Drift Cutter Bart
57	09966	1	S	Knob
60	736-0142	1	S	FI-Wash. 1/4" I.D.
61	712-0107	1	S	Hex L-Nut 1/4-20 Thd.*
62	731-0851	1	S	Chute Flange Keeper
63	736-0116	1	S	FI-Wash. .64" I.D. x .94" O.D. x .06
64	712-0923	1	/P	Hex Jam Nut 5/8-18 Thd.
65	736-0231	1	S	FI-Wash. .344 I.D. x 1.125 O.D.
66	712-0158	1	S	Hex L-Nut 5/16-18 Thd.
67	710-0323	1	/P	Truss Mach. Scr. 5/16-18 x-.75" Lg.*
68	750-0190	1	/P	Spacer
	717-0864	1		Gear Box Complete (440)
	717-0867	1		Gear Box Complete (550 & 552)



318-550-190 Snow Boss 510 (1988)
Wheel & Chain Drive

Page 11 of 12

Ref #	Part Number	Qty	S/P/F	Description
1	784-5197	1		Frame Ass'y.
2	750-0499	1	/P	Spacer .50" I.D. x .75" O.D. x .78" Lg.
4	714-0129	1	S	#4 Hi-Pro Key 3/32 x 5/8" Dia.
5	05080	1	S	Friction Wheel Ass'y.
6	738-0496	1		Hex Shaft
7	05883	1		Friction Wheel Mounting Plate Ass'y.
8	716-0102	1	S	Snap Ring 1.00" Dia. Shaft
9	736-0163	1	S	FI-Wash. 1.00" x 1.63" O.D. x .03
10	05880	1		Sliding Bracket Ass'y.
12	713-0285	1		#41 Chain 1/2" Pitch x 35 Links
13	713-0723	1	S	Master Link for #41 Chain
14	713-0281	1		32 Teeth Sprocket Ass'y.
15	741-0225	1	S	Hex Flange Brg. .630" I.D.
16	736-0290	1	/P	FI-Wash. .62" I.D. x 1.00" O.D. x .06
17	710-0538	1	/P	Hex Lock Bolt 5/16-18 x .62" Lg.
18	714-0507	1	S	Cotter Pin 3/32" Dia. x .75" Lg. *
20	741-0245	1	S	Hex Flange Brg. .751" I.D.
21	736-0231	1	S	FI-Wash. .34" I.D. x 1.12" O.D. x .125
22	710-0624	1	/P	Hex Bolt 5/16-24 x 1.50" Lg. (440)
23		1		Wheel Ass'y. (440)
	734-1236	1		Wheel Ass'y. Comp. 10.5 x 3.5 (440)
24	712-0273	1	S	Hex Ins. Jam L-Nut 5/16-24 Thd. (440)
25	712-0342	1	/P	Hex Jam Nut 3/8-16 Thd.
26	736-0169	1	S	L-Wash. 3/8" I.D.*
27	05898	1		Shifting Linkage Bracket
29	738-0281	1	S	Shld. Bolt .625" Dia. x .170" Lg.
30	711-0677	1	S	Adjustment Ferrule
31	747-0356	1		Shifting Rod 5/16" Dia. x 32.50" Lg.
32	736-0264	1	S	FI-Wash. .34" I.D. x .64" O.D. x .06
33	714-0507	1	S	Cotter Pin 3/32" Dia. x .75" Lg. *
34	716-0145	1	S	Snap Ring .562" Dia. Shaft
35	713-0280	1		Sprocket 7 Teeth x .50" Pitch
36	738-0497	1		Shaft .50" Dia. x 9.50" Lg.
37	713-0283	1		28 Teeth Wheel Axle Ass'y. (440)
	738-0758	1		Wheel Axle (550)
	738-0713	1		Wheel Axle
38	710-0600	1	/P	Hex Wash. Hd. Self-Tap Scr. 5/16-24 x .50" Lg.
39	713-0270	1		#41 Chain 1/2" Pitch x 43 Links (440)
	713-0287	1	S	#420 Chain 1/2" Pitch x 39 Links (550)
40	713-0723	1	S	Master Link for #41 Chain (440)
	713-0154	1	S	Master Link for #420 Chain (550)
41	748-0204	1	/P	8 Teeth Center Sprocket
42	736-0119	1	S	L-Wash. 5/16" I.D.
43	741-0476	1	S	Bearing
44	748-0184	1	/P	Bronze Bearing
45	736-0188	1	/P	FI-Wash. .76" I.D. x 1.49 O.D. (440, 550)
	736-0315	1	/P	FI-Washer
46		1		Wheel Assembly (550)
	734-1253	1		Wheel Assembly Comp. 13 x 5.0 (550)
47	734-0255	1	S	Air Valve
48	714-0143	1	S	Klick Pin (550)

318-550-190 Snow Boss 510 (1988)
Wheel & Chain Drive

Page 12 of 12

Ref #	Part Number	Qty	S/P/F	Description
49	716-0101	1	S	Snap Ring .75 Dia. (550)
50	712-0200	1	S	Hex Ins. L-Nut 1/2-20 Thd.
51	736-0257	1	S	FI-Wash. .53 I.D. x 1.25 O.D. x .10
52	736-0253	1	S	Bell-Wash. .50 I.D. x 1.0 O.D. x .075
53	741-0401	1	S	Sleeve Brg. (550)
54	713-0384	1		32 Teeth Sprocket Hub Ass'y. (550)
55	710-0698	1	/P	Hex Bolt 1/4-28 x 1.5"* (550)
56	712-0896	1		Hex L-Nut 1/4-28 Thd. (550)
57	750-0506	1		Spacer
58	736-0287	1	S	FI-Washer
60	736-0315	1	/P	FI-Washer